



# Acme Sanitary Ware Co Ltd

Acme Building, 22-28 Nanking Street, Kowloon, Hong Kong  
Tel: 2388 7171 Fax: 2710 8012  
E-mail: acme@acmesanitary.com.hk  
Website: www.acmesanitaryware.com.hk



Pure Freude  
an Wasser

|          |  |      |  |     |           |  |
|----------|--|------|--|-----|-----------|--|
| PROJECT  |  | REF  |  | REV | ITEM CODE |  |
| LOCATION |  | DATE |  |     | PAGE      |  |

## SANITARY WARE SPECIFICATION SHEET

|                   |  |
|-------------------|--|
| Item Descriptions | GROHE (Germany) "Grandera" Single-lever free stand bath & shower mixer |
| Dimensions        | L320 x W281 x H947 mm  |
| Model             | 23318IG0   |
| Finish / Material | Chrome Plated & Gold   |
| Country of origin | Germany  |
| Manufacturer      | GROHE Limited  |
| Supplier          | Acme Sanitary Ware Co. Ltd<br>Mr. Eric Wong/ Mr. Don Yuen              |
| Contact Tel/Fax   | (852) 2388-7171 / (852) 2710-8012                                      |
| E-mail            | acme@acmesanitary.com.hk   |
| Website           | www.acmesanitary.com.hk  |

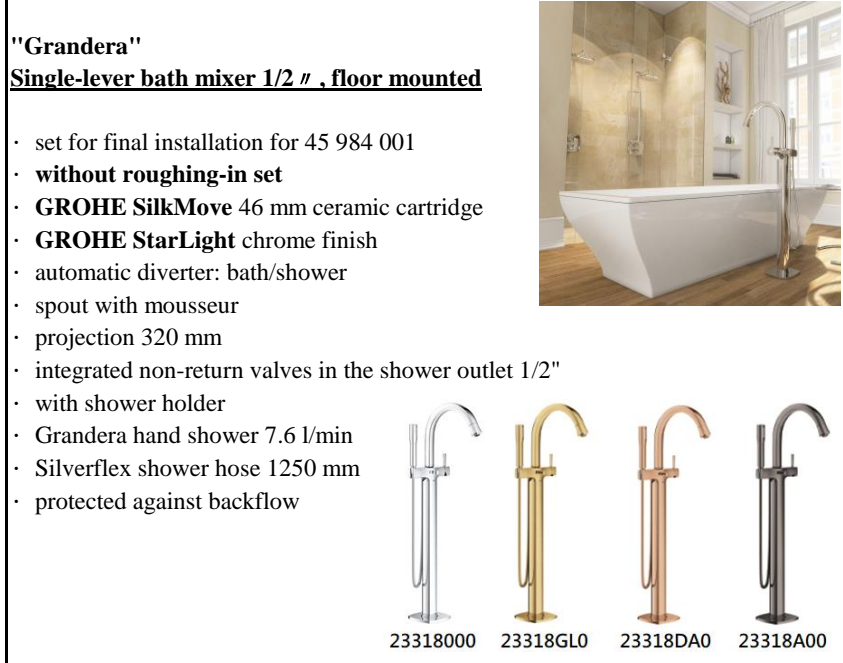
Illustration/ Drawing

**"Grandera"**  
**Single-lever bath mixer 1/2" , floor mounted**

- set for final installation for 45 984 001
- **without roughing-in set**
- **GROHE SilkMove** 46 mm ceramic cartridge
- **GROHE StarLight** chrome finish
- automatic diverter: bath/shower
- spout with mousseur
- projection 320 mm
- integrated non-return valves in the shower outlet 1/2"
- with shower holder
- Grandera hand shower 7.6 l/min
- Silverflex shower hose 1250 mm
- protected against backflow

**Colour options:**

- 000 | StarLight Chrome
- GL0 | Cool Sunrise
- DC0 | SuperSteel
- DA0 | Warm Sunset
- A00 | Hard Graphite
- AL0 | Brushed Hard Graphite
- IG0 | Chrome/Gold
- GN0 | Brushed Cool Sunrise
- DL0 | Brushed Warm Sunset
- BE0 | Polished Nickel
- EN0 | Brushed Nickel



Note:

\* All information of the above is for the reference only. No prior notice is made if any changes.



|          |  |      |  |     |           |  |
|----------|--|------|--|-----|-----------|--|
| PROJECT  |  | REF  |  | REV | ITEM CODE |  |
| LOCATION |  | DATE |  |     | PAGE      |  |

# SANITARY WARE SPECIFICATION SHEET

## GROHE GRANDERA



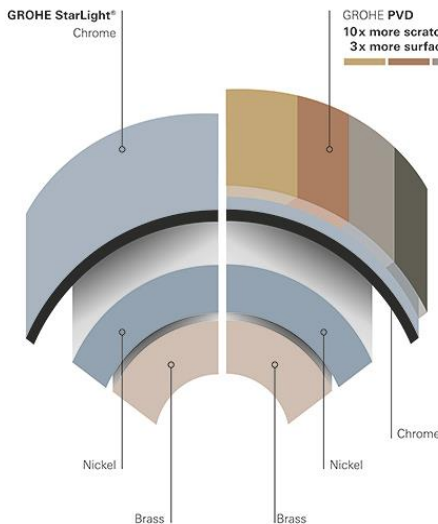
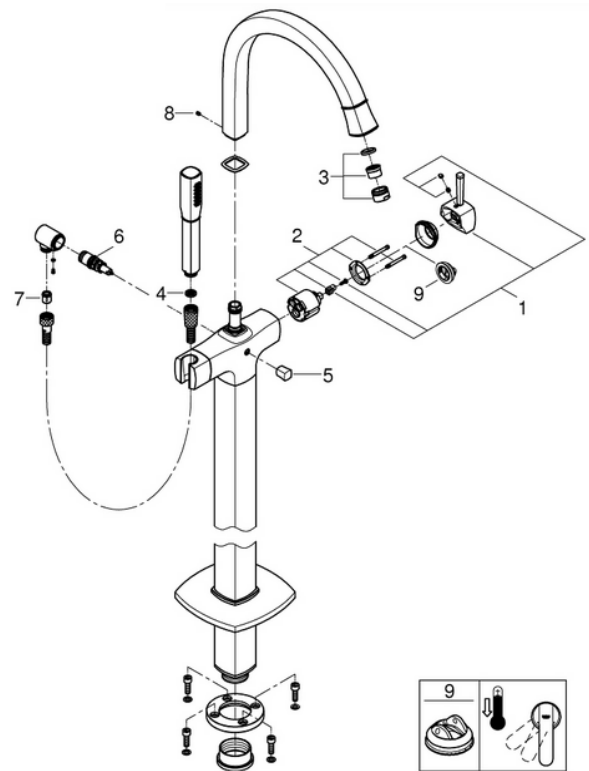
GROHE SilkMove cartridge technology for smooth handling

This premium tap comes with a continuously variable water temperature and volume adjustment technology, ensuring effortless lever operation even after years of use.

### TOMORROW'S GRAND STYLE

The GROHE Grandera collection is both a homage to an age of grandeur long past and an affirmation of modern sensibility, combining the highest standards of quality and craftsmanship with a love of detail and comfort.

Stylistically, the Grandera collection can be combined with a wide range of bathroom furnishings, with the added flexibility of two colors – chrome and chrome / gold.



GROHE surface hardness

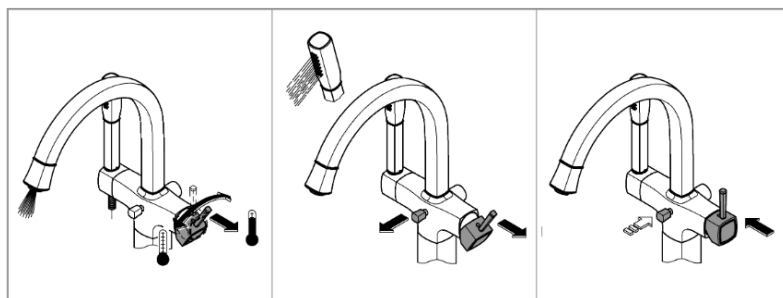


GROHE scratch resistance



| Pos.-nr. | Prod. description   | Order-nr. |
|----------|---------------------|-----------|
| 1        | Lever               | 46833IG0  |
| 2        | Cartridge           | 46048000  |
| 3        | Sistra              | 13907G00  |
| 4        | Dirt strainer       | 0700200M  |
| 5        | Diverter knob       | 48217G00  |
| 6        | Diverter            | 65655000  |
| 7        | Non-return valve    | 08565000  |
| 8        | Fixing set          | 48003000  |
| 9        | Temperature limiter | 46375000* |

\* Optional accessories



Note:

\* All information of the above is for the reference only. No prior notice is made if any changes.